

Features

Standard Equipment

- Linde twin pedals system
- Linde joystick integrated in armrest
- 2x4KW maintenance-free AC drive motors
- 180 degree battery door for vertical/lateral battery change
- Linde Curve Assist
- Adjustable PVC seat, adapts to operator's body size and weight
- Multifunction LCD display
- Battery capacity 48V/575-700 Ah
- LED rear lamp
- SE tyres
- Standard mast lift height h3 = 3250 mm
- Fork length l = 1,000mm
- ISO 3691
- Standard truck lightning
- Adjustable steering column

Optional Equipment

- Single drive pedal with direction lever in armrest
- Alternative fork lengths
- Alternative fork carriage widths
- Triplex masts, lift height to 6220 mm
- Integrated sideshift
- One, two additional hydraulic circuits for attachments
- Fork extensions
- Load backrest
- Full cab with doors
- Front and rear screens, wipers and tops screen
- Comfortable seat
- Blue Spot
- Individual colour

Other Options Available on Request



Electric Counterbalanced Trucks Capacity 1600, 2000kg E16, E20

Series 1275



Safety

Outstanding stability and excellent traction achieved by a design that incorporates a high-level engineering expertise and high-quality materials. The advanced drive axle concept provides benchmarking truck driving experience by automatically moving forward when the mast is tilted back.

Performance

Very well known as electric trucks with IC truck performance, Linde electric trucks are delivered with powerful electric motors and an intelligent electronic control. These both together form an impressive and compact powerpack to deliver a benchmarking productivity.

Comfort

A consistently high level of efficiency for extended working periods is only possible with ergonomic design. The ergonomic layout of all truck controls, an adjustable armrest with integrated mini levers, and the twin pedal layout provides the optimum interface between the truck and its operator.

Reliability

Fully sealed aluminium component housings provide a superb protection from dust and dirt ingress. European manufactured cutting edge drive and lift motors and contact free hydraulic mini levers underline the premium standard of this electric truck.

Service

Four different battery changing solutions, maintenance free AC motors and wet disc brakes are bringing the truck down time to a minimum to ensure the lowest service cost level possible. Easy and quick diagnosis are realised through the Linde digital control system.

Features

Linde operator compartment

- Ergonomic design for efficient and fatigue-free working
- Spacious compartment with comfortable footwell and adjustable seat
- Small diameter steering wheel
- Adjustable steering column
- Various storage compartments

Adaptive drive axle

- Moving front axle
- Enhanced stability for distance travel
- Increase maneuverability in confined areas



Linde Twin Pedals System

- Quick change of forward/reverse direction without changing feet on pedals
- Increased productivity
- Fatigue-free working



Flexible battery change solutions

- Standard 180° battery door for vertical and lateral battery change
- Flexible battery change solutions for different applications and customer needs
- Quick battery change to reduce the down time

Safe operation

- Patented high pivoting Linde steering axle
- Outstanding residual capacity
- Large step in plate with anti slip design



Linde Joystick System

- Safe & accurate load handling
- Effortless fingertip control of all mast functions
- Hydraulic control levers integrated in armrest
- Wide and cushioned armrest

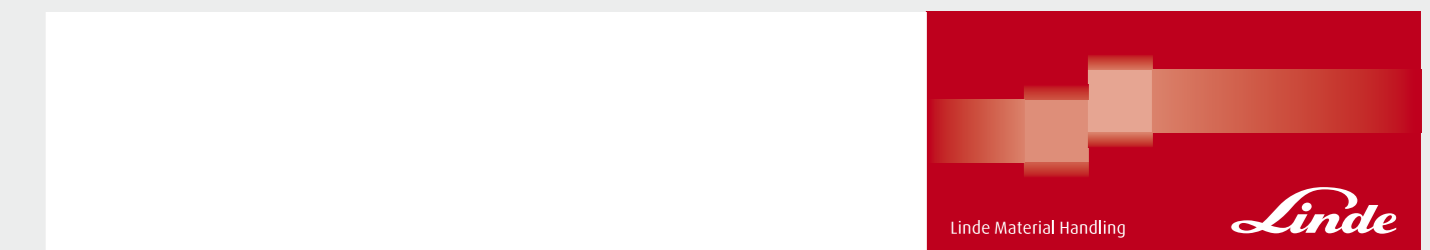


Linde clear-view mast

- Superb visibility through slim-profile sections of mast
- Full load capacity up to maximum lift height
- Exceptional residual capacity

Subject to modification in the interests of progress. Illustration and technical details not binding for actual constructions and may show the optional equipments.

1275_E16/70_D-01_201507

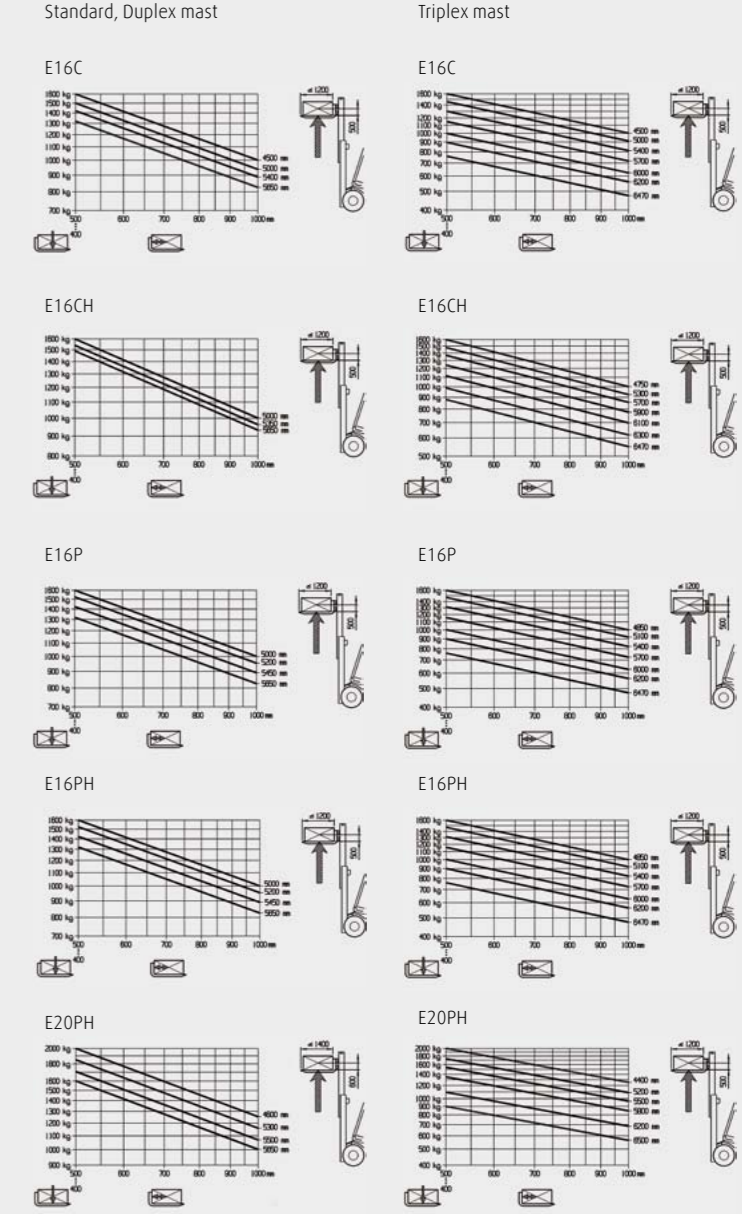
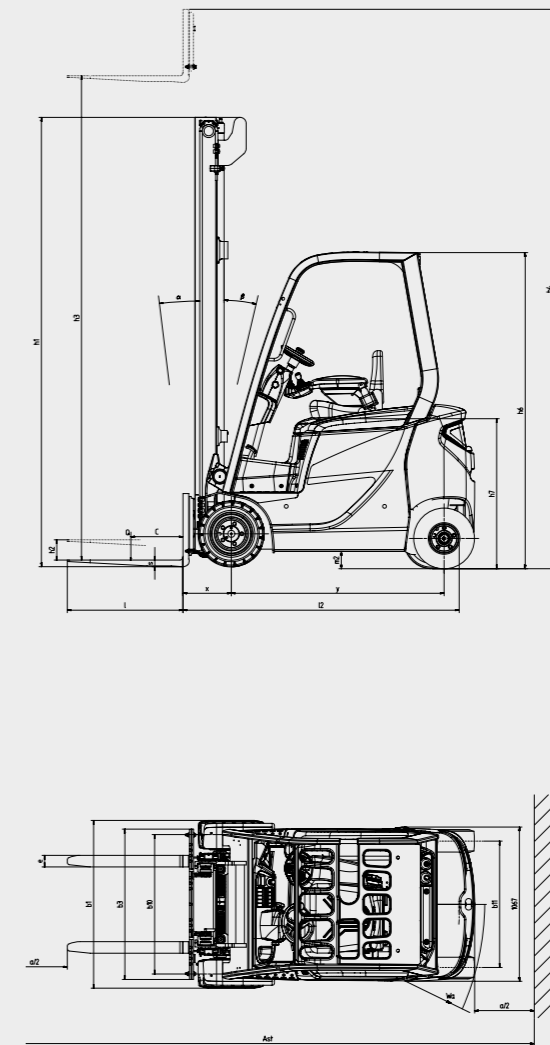


Technical Data

		Characteristics					
		1.1	1.2	1.3	1.4	1.5	1.6
	Manufacturer	Linde	Linde	Linde	Linde	Linde	Linde
	Model designation	E16C	E16CH	E16P	E16PH	E20PH	
	Power unit: Electromotion, diesel, gasoline, LPG, mains power	Electric	Electric	Electric	Electric	Electric	
	Operation: manual, pedestrian, stand-on, seated, order picker	Driver seated	Driver seated	Driver seated	Driver seated	Driver seated	
	Load capacity	Q(t)	1.6	1.6	1.6	1.6	2.0
	Load center	c(mm)	500	500	500	500	500
	Axle centre to fork face	x(mm)	335	335	335	335	339
	Wheelbase	y(mm)	1356 ²⁾	1383 ²⁾	1442 ²⁾	1472 ²⁾	1472 ²⁾
	Service weight	kg	3230	3465	3155	3445	3815
	Axle load with load, front/rear	kg	4185/645 ²⁾	4297/768 ²⁾	4176/579 ²⁾	4277/768 ²⁾	4935/880 ²⁾
	Axle load without load, front/rear	kg	1585/1645 ²⁾	1715/1750 ²⁾	1640/1515 ²⁾	1755/1690 ²⁾	1755/2060 ²⁾
	Tyre: SE=(super elastic), P=(pneumatic)		SE	SE	SE	SE	SE
	Tyre size, front		18x7-8	200/50-10	18x7-8	18x7-8	200/50-10
	Tyre size, rear		15x4 1/2-8	15x4 1/2-8	16x6-8	16x6-8	16x6-8
	Wheels, number front/rear(X=driven)		2X / 2	2X / 2	2X / 2	2X / 2	2X / 2
	Mast tilt, forward/backward	$\alpha / \beta (^{\circ})$	5.7/6.5	5.7/6.5	5.7/7.5	5.7/7.5	5.7/7.5
	Height of mast, lowered	h1(mm)	2176	2176	2176	2176	2178
	Free lift	h2(mm)	150	150	150	150	150
	Lift	h3(mm)	3250	3250	3250	3250	3250
	height of mast, extended	h4(mm)	3861	3861	3861	3861	3863
	Height of overhead guard (cabin)	h6(mm)	2018	2176	2018	2173	2173
	Height of seat platform	h7(mm)	990	1150	990	1150	1150
	Tow coupling height	h10(mm)	529	614	563	644	645
	Overall length	l1(mm)	2880 ²⁾	2908 ²⁾	2983 ²⁾	3018 ²⁾	3060 ²⁾
	Length to fork face	l2(mm)	1880 ²⁾	1880 ²⁾	1983 ²⁾	2018 ²⁾	2060 ²⁾
	Overall width	b1/b2(mm)	1083	1158	1083	1158	1158
	Fork dimensions, sxe1	s/e/l(mm)	45 x 100 x 1000	45 x 100 x 1000	45 x 100 x 1000	45 x 100 x 1000	45 x 100 x 1000
	Fork carriage to Din 15173, class/form A,B		2A	2A	2A	2A	2A
	Width of fork carriage	b3 [mm]	1040	1040	1040	1040	1040
	Ground clearance, mast	m1(mm)	95	95	90	90	90
	Ground clearance, center of wheelbase	m2(mm)	110	110	105	105	105
	Aisle width with pallet 1000x1200mm across forks	Ast(mm)	3209 ²⁾	3433 ²⁾	3403 ²⁾	3433 ²⁾	3442 ²⁾
	Aisle width with pallet 800x1200mm along forks	Ast(mm)	3331 ²⁾	3630 ²⁾	3600 ²⁾	3630 ²⁾	3639 ²⁾
	Turning radius	Wa(mm)	1548 ²⁾	1577 ²⁾	1870 ²⁾	1945 ²⁾	1945 ²⁾
	Minium pivoting distance	b13(mm)	0	0	514	598	598
	Travel speed, with/without load	km/h	15.8/15.8	15/15	15.8/15.8	15.8/15.8	15.8/15.8
	Lifting speed, with/without load	m/s	0.44 / 0.57	0.44 / 0.57	0.44 / 0.57	0.44 / 0.57	0.37 / 0.57
	Lowering speed, with/without load	m/s	0.54 / 0.54	0.54 / 0.54	0.54 / 0.54	0.54 / 0.54	0.54 / 0.54
	Tractive force, with/without load (60 minute rating)	N	3400/3400	4400/4500	3400/3400	4400/4500	2816/2953
	Maximum tractive force, with/without load (5 minute rating)	N	11000/7300	10700/8900	11000/8400	12300/11100	9753/9580
	Climbing ability, with/without load (30 minute rating)	[%]	6.1/10.8	8.9/13.4	7.3/11.1	8.9/13.4	4.9/7.9
	Maximum climbing ability, with/without load (5 minute rating)	[%]	23.9/23.7	22.1/27.2	24.3/28.2	25.7/34.8	17.4/26.5
	Acceliration time, with/without load (first 15m)	[s]	6.0/5.8	6.8/6.5	6.3/6.2	6.2/6.2	6.2/5.8
	Service brake				Hydraulic / electric		
	Drive motor hour rating (60 minute rating)		2 x 4	2 x 4	2 x 4	2 x 4	2 x 4
	Lift motor, 15% rating	kW	8.5	8.5	8.5	8.5	8.5
	Battery according to DIN43 535/36 A/B/C/no	kW	43531A	43531A	43531A	43531A	43531A
	Batteru voltage / capacity (5 hours)		48/575	48/700	48/575	48/700	48/700
	Battery weight (+/-5%)	V / Ah	856	1118	856	1118	1118
	Type of drive control						
	Working pressure for attachments		200	200	200	200	200
	l flow for attachments	bar	20	20	20	20	20
	Mean noise level at driver's ear	db	-	-	-	-	-

Figures for standard version may vary when optional equipment is fitted
 1) Figure in brackets refer to triplex mast.
 2) At 0° tilt angle.

Lifting capacity diagram for standard, duplex mast and triplex mast with standard fork carriage



Mast Datasheet (in: mm)

Standard masts (mm)	E16C/E16P						E16CH /E16PH /E20PH						
	h3	h1	h4	h2	h3	h1	h4	h2	h3	h1	h4	h2	
Lift height	2850	3050	3250	3850	4250	4850	5650	3050	3250	3850	4250	4850	5650
Retracted height with 150mm free lift	1976	2076	2176	2476	2676	2976	3376	2078	2178	2478	2678	2978	3378
Height of overall at max. lift	3643	3663	3863	4463	4863	5463	6263	3663	3863	4463	4863	5463	6263
Free lift	150	150	150	150	150	150	150	150	150	150	150	150	150

Duplex masts (mm)	E16C/E16P						E16CH /E16PH /E20PH					
	h3	h1	h4	h2	h3	h1	h4	h2	h3	h1	h4	h2
Lift height	2770	3070						3070				
Retracted height with 150mm free lift	1919	2069						2071				
Height of overall at max. lift	3383	3683						3683				
Free lift	1318	1468						1468				

Triplex masts (mm)	E16C/E16P						E16CH /E16PH /E20PH					
	h3	h1	h4	h2	h3	h1	h4	h2	h3	h1	h4	h2
Lift height	4020	4470	4770	5470	5920	6220		4470	4770	5470	5920	6220
Retracted height with 150mm free lift	1919	2069	2119	2469	2619	2719		2071	2171	2471	2621	2771
Height of overall at max. lift	4633	5083	5383	6033	6533	6833		5083	5383	6033	6533	6833
Free lift	1318	1468	1568	1868	2018	2118		1468	1568	1868	2018	2118